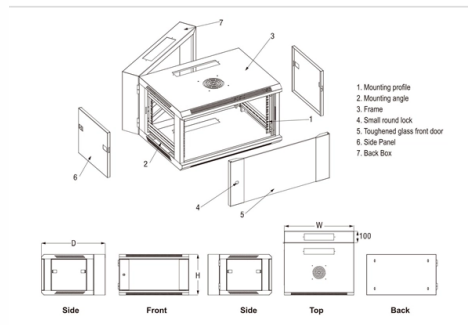


The core switch s ARP table is full



Overview

Learn how to detect and fix ARP table overflow on switches and routers, where the ARP or neighbor table becomes full and new address resolutions fail, causing intermittent connectivity. When the. The Address Resolution Protocol (ARP) is essential for mapping IP addresses to MAC addresses, enabling seamless communication in a local network. ARP table issues can lead to network connectivity problems, packet loss, slow performance, or even security vulnerabilities like ARP spoofing. This. The manufacturer itself also seems to downplay the problem. The core switch is a 3COM 4200G. If you clear the ARP table the switch will delete all active records and will re-learn. The reason for seeing an incomplete ARP is that "An ARP request was sent for that address, but the host with that address is not up and running on the LAN, so there is no reply" So, if a multilayer switch sends an ARP request to a server and gets no reply, ARP will be marked as incomplete in the.



Article Content

What are the reasons for seeing an incomplete ARP?

When a host, including a router or the routing module in a layer-3 switch, sends an ARP request and receives no reply, it marks the ARP table entry as incomplete.

Solved: Incomplete ARP

Hi all, What can cause incomplete arp table for a fast ethernet connection on a cisco router? If the device connected to the cisco is connected

The Network DNA: Networking, Cloud, and Security

Master networking, cloud, and security with in-depth analysis, tutorials, and research. Stay ahead of the curve with our expert tech blog.

Avoiding ARP table issues? : r/Cisco

Avoiding ARP table issues? Set up 4x Cisco SG300-52P switches this week. 1 was the "core" switch and then there was 3x hanging off the core. I had a couple of issues where certain hosts were not getting

Switch Engine v33.2.1 User Guide

The switch maintains an ARP table (also known as an ARP cache) that displays each MAC address and its corresponding IP address. By default, the switch builds its ARP table by tracking ARP requests

ARP announcement does not refresh the ARP on core switch

Then I have to manually clear the arp cache on core switch, only by which scanner B can works right away. And then if I reconnect scanner A back to the port with the same IP, the same

Do Layer 2 switches have ARP tables? Do they generate ARP

No, because ARP is a protocol to ask about L3 addresses and an L2 switch doesn't care about--or even have any concept of--L3. However, the management plane of an L2 switch is a full-stack device. In

How to Check ARP Table Cisco Switch? Why Is It Your

Ultimately, mastering how to check ARP table Cisco switch pivots network diagnostics from guesswork to precision surgery. That seemingly dry output isn't

Catalyst 6500/6000 Switches ARP or CAM Table Issues Troubleshooting

This document provides information on how to troubleshoot Address Resolution Protocol (ARP) or Content Addressable Memory (CAM) table-related issues on Catalyst 6500/6000 Switches.

ARP table not updating

Hello @saiddiab1605, Changing a device with the same IP address leads to connectivity problems. So it is crucial to ensure that the previous device is fully removed from the network and

Solved: ARP table on switches

I have always thought that ARP tables get created on routers only. However, I just noticed our Cat-2950 switch has an ARP table as well as the cam table. Since this switch has no

Arp table incomplete Cisco 2960 switches

Hi Team, I have many Cisco 2960 switches scattered around the country. All of them have an incomplete arp table. If I ping a device from the switch, the arp table then shows the mac

Fix ARP Table Issues: Step-by-Step Guide

ARP table issues can lead to network connectivity problems, packet loss, slow performance, or even security vulnerabilities like ARP spoofing. This step-by-step

How to Fix ARP Table Overflow on Switches and Routers

Learn how to detect and fix ARP table overflow on switches and routers, where the ARP or neighbor table becomes full and new address resolutions fail, causing intermittent connectivity.

r/networking on Reddit: Core ARP table issues

End device responds, core switch populates ARP and MAC tables 300 seconds later, MAC entry times out 14100 seconds after that, ARP entry times out What happens in that gap of 14100 seconds is that

Tips to Keep the ARP Table Available for DHCP IP Addressing

Objective This article explains how to set the Address Resolution Protocol (ARP) table of a switch to frequently clear the expired Media Access Control (MAC) addresses from the ARP table. In addition,

Cisco Router/Switch Clear ARP cache, show arp table commands

Clear arp cache In EXEC mode clear arp-cache Show arp table in EXEC mode show arp OR Use clear arp Console> (enable) clear arp 10.0.0.2 ARP entry deleted. Console> (enable)

Core ARP table issues

Triple check that the default gateway and subnet mask are set correctly on all these hosts, and the core switch. The core I3 switch may be using proxy arp which can hide these misconfigurations and cause

Table ARP FULL | Comware

If you clear the ARP table the switch will delete all active records and will re-learn IP-to-MAC bindings by broadcasting ARP Request messages. The point of this step is to get rid of inactive

Solutions to ARP table getting cleared when RSTP changes ...

Your core switch stack should be able to tolerate a switch rebooting on the network without interrupting traffic to the rest of your network. If you have layer 3 interfaces on that 425 stack be careful

HP ARP Table

If they aren't, then the ARP table is going to be empty, since the switch doesn't need it to function. The MAC table on the other hand is going to be full of entries regardless of L3 function use.

ARP table is full

I've considered whether we need to replace the core switch but I am struggling to find details of switches that have a higher ARP table limit. I don't want to spend money to find myself in

ARP-table-overflow

Hello, I've seen many posts about the arp-table-overflow problem, but I haven't seen any reasonable solution anywhere. The manufacturer itself also seems to downplay the problem.

Solutions to ARP table getting cleared when RSTP changes ...

It turns out there were two causes for the ARP table issue and the 2nd cause wasn't fixed until early on in version 12 firmware. I am still on 10.45 and still having a few issues here and there.

How to Troubleshoot ARP Cache Issues in TCP/IP

Learn how to identify, verify, clear, and prevent ARP cache issues in a TCP/IP network using four steps. Also, find out how to avoid ARP spoofing attacks.

Core Switch ARP Issue : r/meraki

The unreachable host is in the arp table on SW1 but not in the mac table. It's the opposite on SW2. The host is in the mac table, but is not in the arp table. I have an open ticket with Meraki now. They just

Contact Us

For more information, pricing, or custom solutions, please contact us:

Website: <https://www.buglerdental.co.za>

Email: sales@buglerdental.co.za

Phone: +27 71 549 2836

Address: 22 Impala Crescent, Waterfall Business Estate, Midrand, 1685, South Africa

This document is for informational purposes only. Specifications subject to change without notice.

